

User Instruction Manual

4H415G Shower Commode TIS



Table of Contents

1. PRODUCT DESCRIPTION.....	3
2. SPECIFICATIONS.....	3
3. OPERATING INSTRUCTIONS	4
4. SAFETY PRECAUTIONS	9
5. CARE & MAINTENANCE INSTRUCTIONS	9
6. OPTIONS.....	9
9. WARRANTY	9
10. SPARE PARTS	10

1. PRODUCT DESCRIPTION

This Shower Commode has been designed to comfortably position the occupant in the most desirable seating position at all times.

It uses a gas strut operating mechanism to smoothly and easily assist the attendant to operate the Tilt-in-Space feature.

It has simple to use swing-up arms with padded armrests, adjustable height swing-away leg rests with padded calf rests. It also comes with flip-up footrests that pivot backwards and forwards. The extra high backrest has two clip on/off Polyurethane backrests that provide head support and comfort that can be positioned to suit the occupant.

The integrated push handle and Precision ball bearing 125mm locking castors make the unit easy to manoeuvre and secure when transferring.

The Shower Commode is manufacture from durable and long lasting stainless steel which is coated in an epoxy powder coated finish to provide easy cleaning.

2. SPECIFICATIONS

Maximum Occupant Weight of 170kg.

Seat Frame to Floor height: 550mm

Seat Frame Width: 450mm (to suit Padded Seat Width 450mm x Depth of 450mm)

Seat Frame to Top of Backrest Frame height: 940mm

Push Handle to Floor height: 930mm

Armrest to Seat Frame height: 315mm

Footrest to Seat Frame height: Min-305mm Max-430mm, 5 x 25mm increments.

Backrest Tilt Angle: 10 – 35 Degrees from vertical.

4 x Dia 125mm Total Lock Castors – Maintenance free

Overall Dimensions;

Height: 1460mm

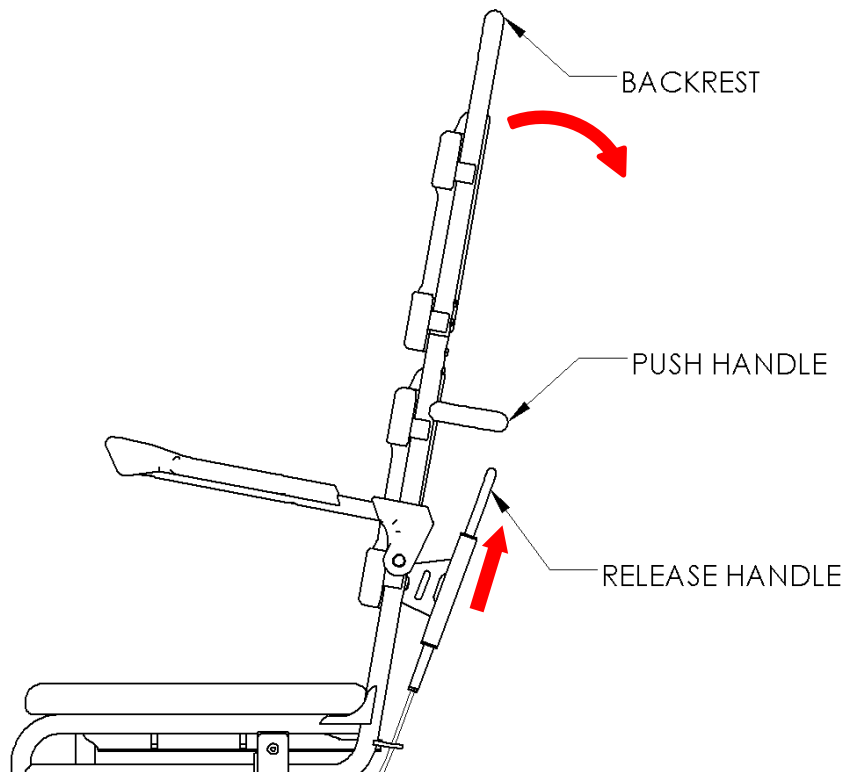
Width: 570mm

Depth: 1070mm

Weight: 16.8kg

3. OPERATING INSTRUCTIONS

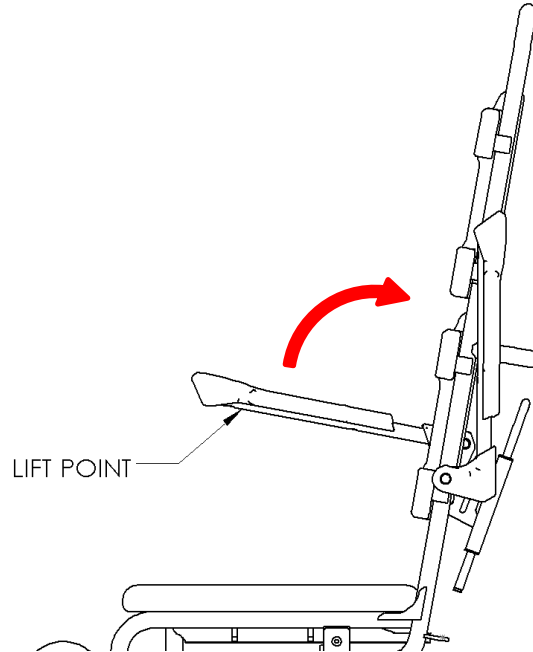
1. Tilt-in-Space



- When using the Tilt-in-Space function it is advisable to lock the two rear castors.
- With your right hand hold the middle of the Push Handle, place your left hand in the middle of the top backrest tube.
- With your right hand use your fingers to grab the release handle and pull it towards the push handle until it stops.
- Note, do not pull the release handle to hard. Only enough force to hold it in the released position.
- With your left hand pull the backrest backwards until you have reached the desired angle.
- Let go of the release handle and backrest, the backrest is now locked in position.

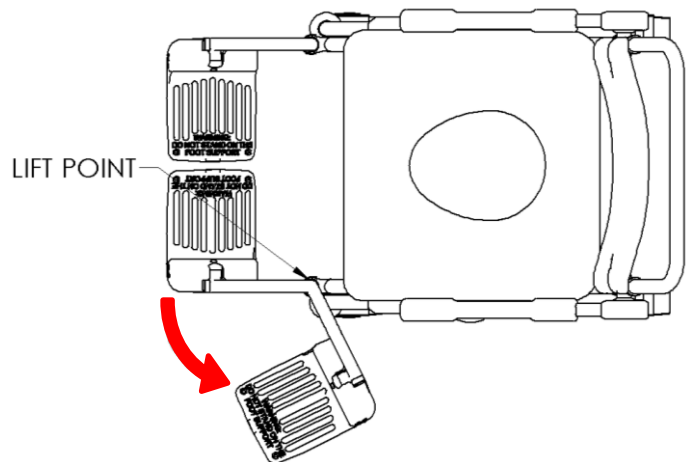
2. Swing up Arms

- To swing up the arm hold it around the tube and padded armrest and lift it up until it clears the backrest.
- When lowering the armrest make sure to gently lower the arm until it stops. Try not to let the arm free fall into position.



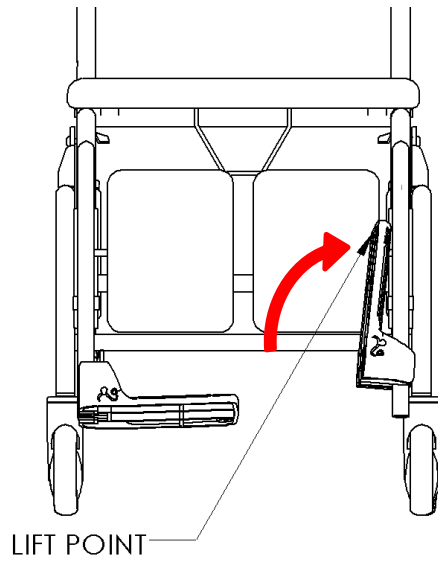
3. Swing away footrests

- To swing the footrest leg away from the front of the commode, hold the footrest support tube at the top of the bend. Lift the support tube up past the locating pin at the bottom and swing away the leg to the side.



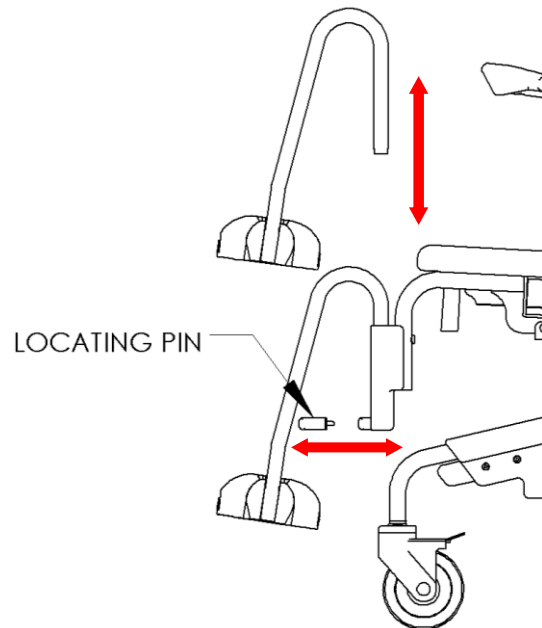
4. Flip up footrest

- To flip the footrest up hold it at the indicated point. There will be some slight resistance to move it but this is normal, lift it all the way up to the support tube.



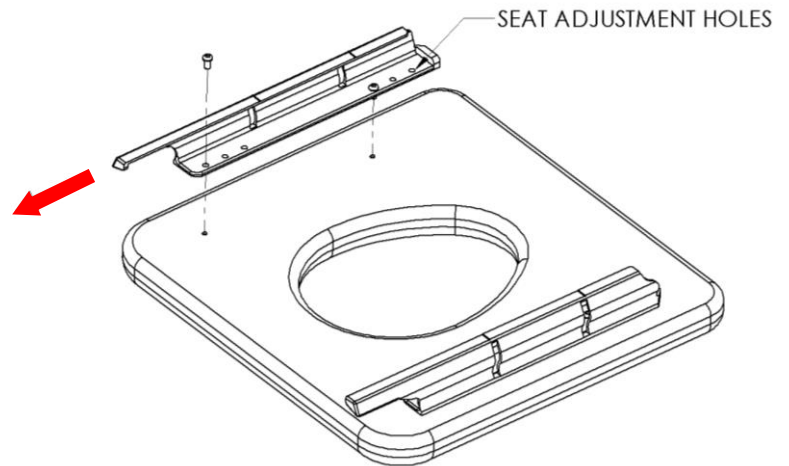
5. Swing away footrest height adjustment

- To adjust the height of the footrest, lift the support tube up and pull the locating pin out and select the required hole.
- Slide the support tube back into the swing away mount and check footrest position.

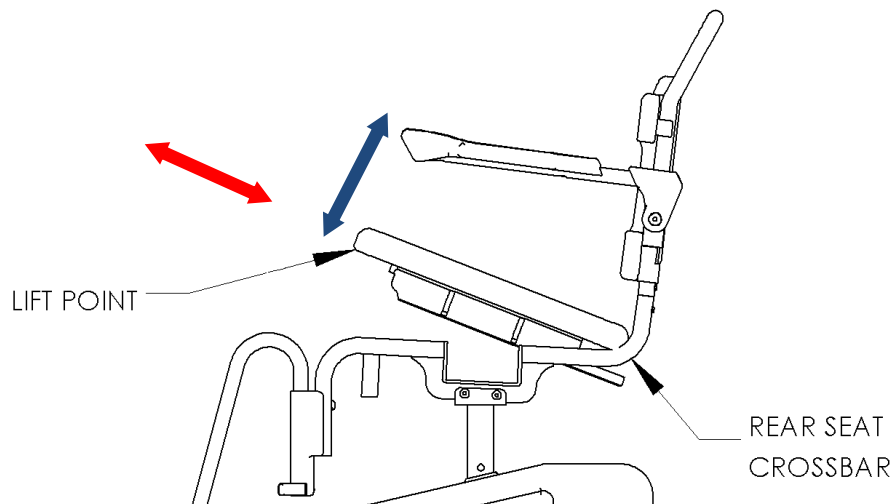


6. Seat depth adjustment

- Use a 3mm Allen key to unscrew the fasteners on the pan runner. There are 2 positions spaced at 25mm, select desired hole and screw fasteners in place.



Note, seat optional

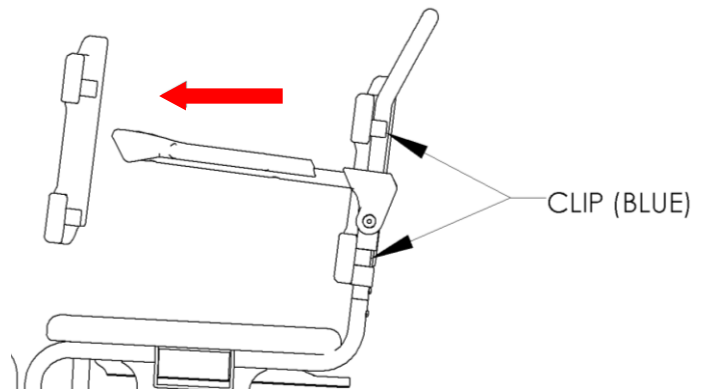


7. Padded seat fitment – clip on/off

- To fit the seat to the commode, slide the cut out in the pan runner under the rear seat crossbar. Lower the seat and push it towards the rear of the commode. Push down firmly at the front of the seat and it will clip into the frame.
- To remove lift the front of the seat at the lift point shown and pull the seat towards the front of the commode until the pan runner clears the rear seat crossbar.

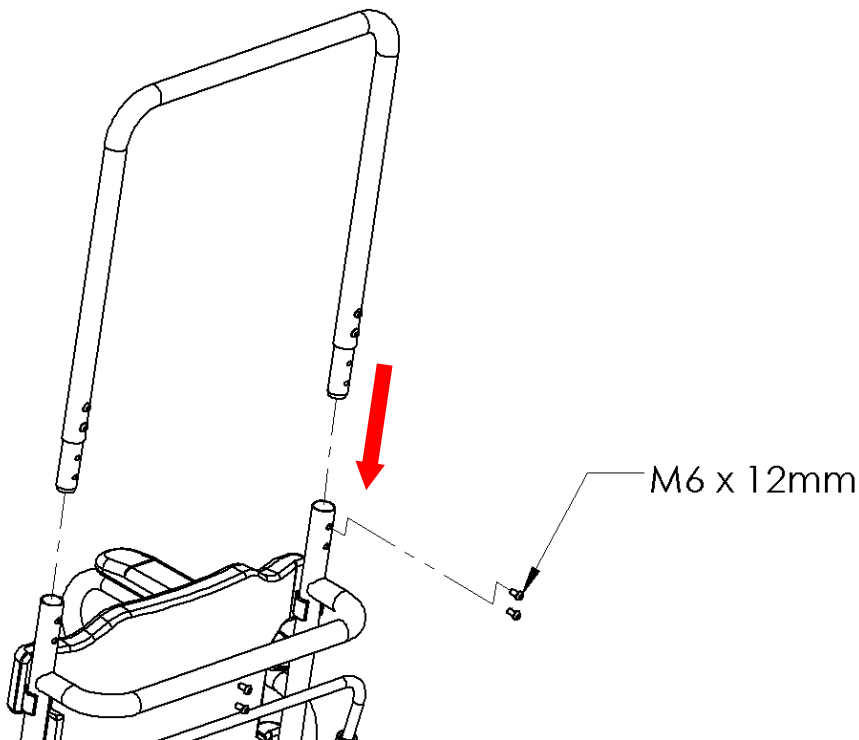
8. Padded backrest removal

- To remove the padded backrest firstly swing away the footrests and stand in front of the commode facing the backrest. Grab hold of the backrest by a top corner then pull it towards you until the clip is off the frame, repeat process on the bottom corner then do the other side.



9. Upper backrest frame fitment

- With the supplied 4mm Allen key remove the four screws in the locating rod.
- Align the upper backrest frame with the tube on the lower backrest.
- Push the upper frame down until it stops against the lower frame.
- Insert screws and tighten.



4. SAFETY PRECAUTIONS

The Maximum Occupant Weight for the shower commode is 170kg.

Only use the commode indoors and on flat even surfaces.

DO NOT stand on the foot rests, they are only intended for resting the feet on.

DO NOT use in swimming pools, intended for shower use only.

Ensure all brakes are engaged when transferring the client in and out of the commode.

Heavy uneven weight distribution may cause stress to the frame and may eventually result in damage to the shower commode.

The weight capacity of the shower commode may be reduced if the user applies their weight unevenly, forcefully or positions the chair unevenly.

5. CARE & MAINTENANCE INSTRUCTIONS

Important

Do not use abrasive cleaning agents. Non-phenolic disinfectants are recommended in a diluted solution.

Spray the frame and components with the solution then wash with a sponge, rinse and dry thoroughly with a clean cloth.

Maintenance

It is recommended to the user that a qualified 4Healthcare dealer check over all fasteners and sub-assemblies on a regular basis or if there is cause for concern to the shower commodes performance.

6. OPTIONS

Pan carrier

Pan

Lock down armrests

Side opening seat

Front opening seat

9. WARRANTY

The shower commode comes with a 24-month warranty.

If there are any problems with the commode please contact 4Healthcare on;

PH: 08 9302 4757

Email: enquiries@4healthcare.com.au

Or contact your local dealer

10. SPARE PARTS

ITEM NO.	PART NUMBER	DESCRIPTION	QTY.
1	415UBR	UPPER BACKREST FRAME	1
2	415GRC	GAS STRUT RELEASE CABLE	2
3	CB125P	CASTOR DIA 125 BRAKING PLASTIC	2
4	SC11AL	SHOWER COMMODE ARM LH	1
5	415G	GAS STRUT	2
6	4S415SAFL	SWING AWAY FRAME LH	1
7	415PCR	PADDED CALF REST	2
8	4S415SAFR	SWING AWAY FRAME RH	1
9	4S412PSCF	PADDED SEAT CLOSED FRONT	1
10	SC11AR	SHOWER COMMODE ARM RH	1
11	SC11AP	SHOWER COMMODE ARM PAD	2
12	4S412PB	PADDED BACK	2
13	412SALC	SWING AWAY LOCATING CLIP	3

