

User Instruction Manual 4H413 Shower Commode Weight Bearing Footplate



Table of Contents

1. PRODUCT DESCRIPTION.....	3
2. SPECIFICATIONS.....	3
3. ASSEMBLY INSTRUCTIONS.....	4
4. OPERATING INSTRUCTIONS	5
5. SAFETY PRECAUTIONS	9
6. CARE & MAINTENANCE INSTRUCTIONS	9
7. OPTIONS.....	9
8. WARRANTY	9
9. SPARE PARTS	10

1. PRODUCT DESCRIPTION

This Shower Commode has been designed to comfortably position the occupant in the most desirable seating position by using its adjustable features including seat height, armrest height, padded back height and seat depth.

It has simple to use swing-up arms with padded armrests and adjustable seat height. It also comes with a flip-up/down weight bearing footplate to provide easy access. The backrest has a clip on/off Polyurethane backrest that can be positioned to suit the occupant.

The integrated push handle and Precision ball bearing 125mm locking castors make the unit easy to manoeuvre and secure when transferring.

The Shower Commode is manufacture from durable and long lasting stainless steel which is coated in an epoxy powder coated finish to provide easy cleaning.

2. SPECIFICATIONS

Maximum Occupant Weight of 180kg.

Turning Circle: Dia 910MM

Seat Frame to Floor height:

- Position 1 – 465mm
- Position 2 – 490mm
- Position 3 – 515mm
- Position 4 – 540mm
- Position 5 – 565mm
- Position 6 – 590mm

Seat Frame Width: 450mm (to suit Padded Seat Width 475mm x Depth of 450mm)

Seat Frame to Top of Padded Back height: Min - 410mm, Max - 440mm

Push Handle to Floor height: Min - 980mm, Max - 1105mm

Padded Armrest to Seat Frame height: Min - 290mm, Max - 310mm

Footplate to Seat Frame height: Min-270mm Max-395mm, 5 x 25mm increments.

Backrest Angle: 7 Degrees from vertical.

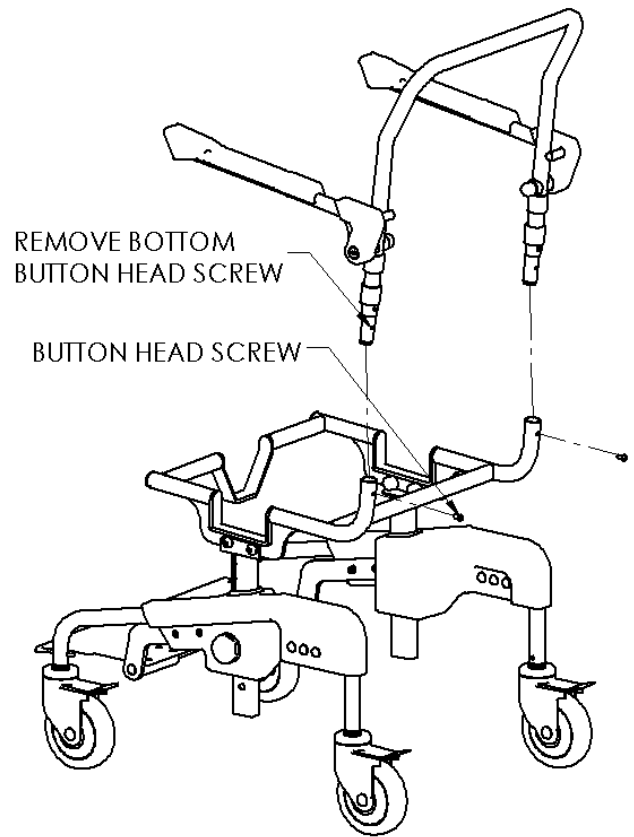
4 x Dia 125mm Total Lock Castors – Maintenance free

Overall Dimensions;
Height: 1460mm
Width: 550mm
Depth: 775mm

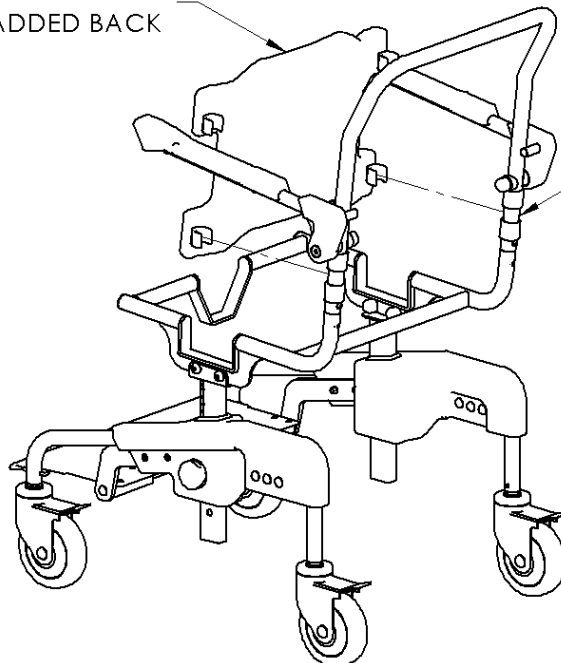
Weight: 19.8kg

3. ASSEMBLY INSTRUCTIONS

- Remove the contents from the box and remove the packaging and place in the appropriate bin.
- Lay out the parts and inspect for any damage.
- Locate the supplied allen key and remove the two bottom button head screws on the backrest frame.
- Align the spigots on the bottom of the backrest frame with the tubes on the seat frame as shown.
- Slide the backrest frame down into the seat frame until the tubes meet and fit the button head screws back into the backrest frame.
- Adjust the seat frame height to the required position. (refer to operating instructions).
- Clip on the the padded backrest as shown below.



NOTE ORIENTATION
OF PADDED BACK

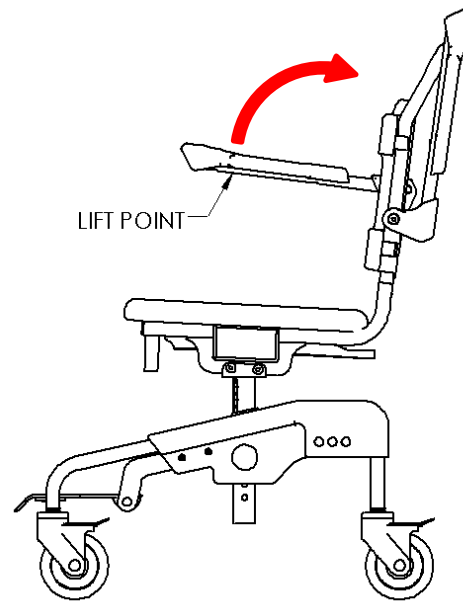


ALIGN CLIP BETWEEN
THE TWO SPACERS

4.OPERATING INSTRUCTIONS

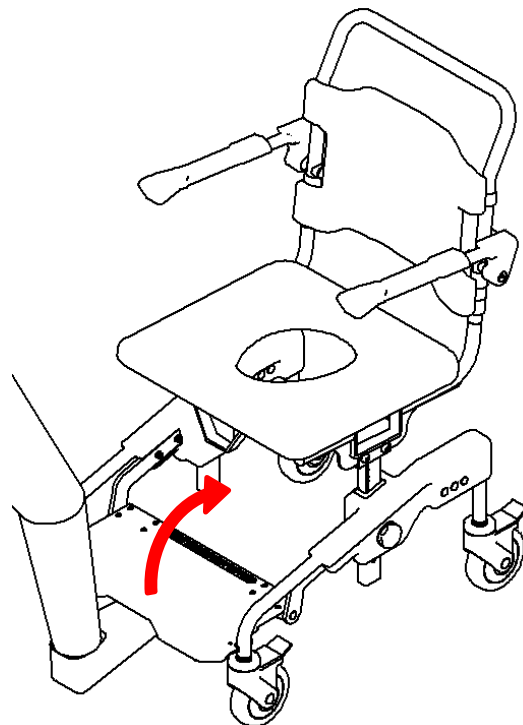
1. Swing up Arms

- To swing up the arm hold it around the tube and padded armrest and lift it up until it clears the backrest.
- When lowering the armrest make sure to gently lower the arm until it stops. Try not to let the arm free fall into position.



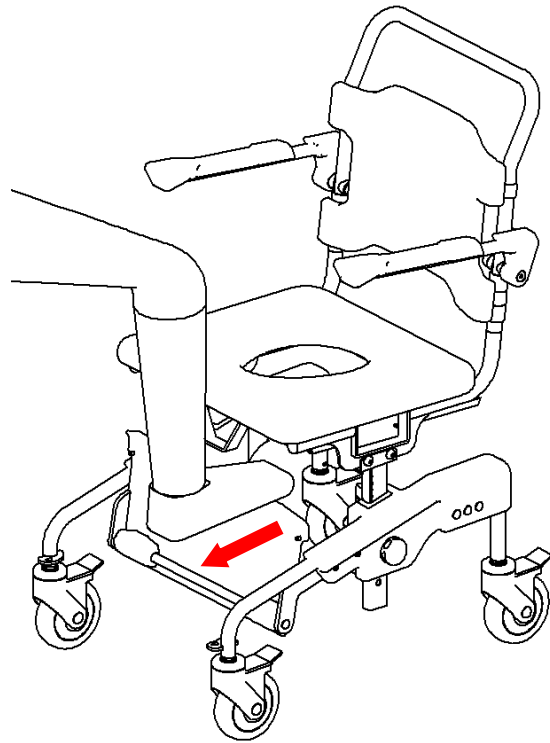
2. Flip up Weight Bearing Footplate

- To flip the footplate up place your foot underneath the footplate as shown, lift it up until it flips back and stops.



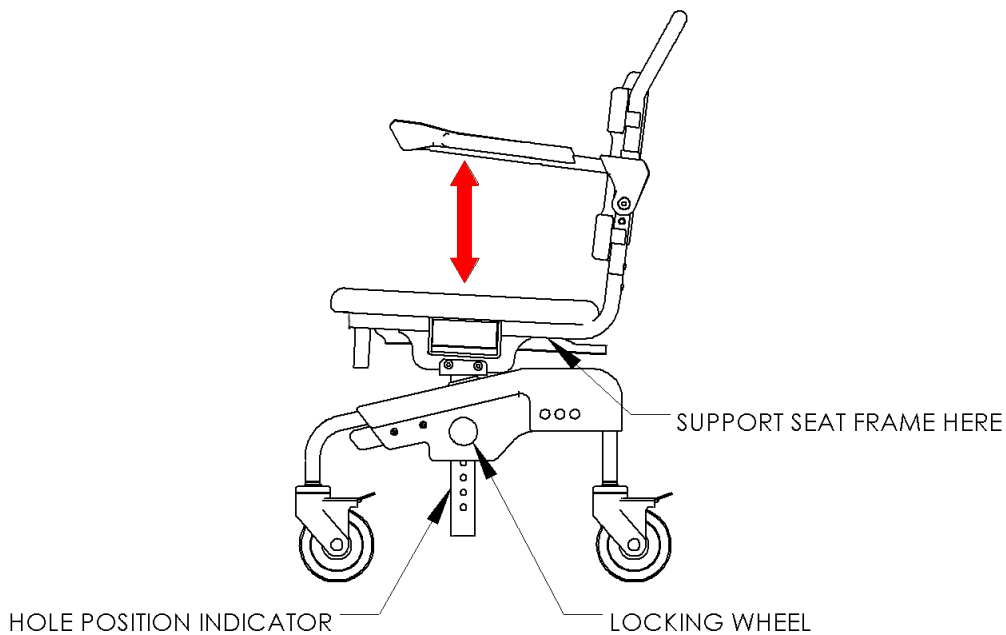
3. Flip down Weight Bearing Footplate

- To flip it down place your foot on top of the plate and pull it towards you. Once the footplate is past centre it will lower down on its own in a controlled manner.



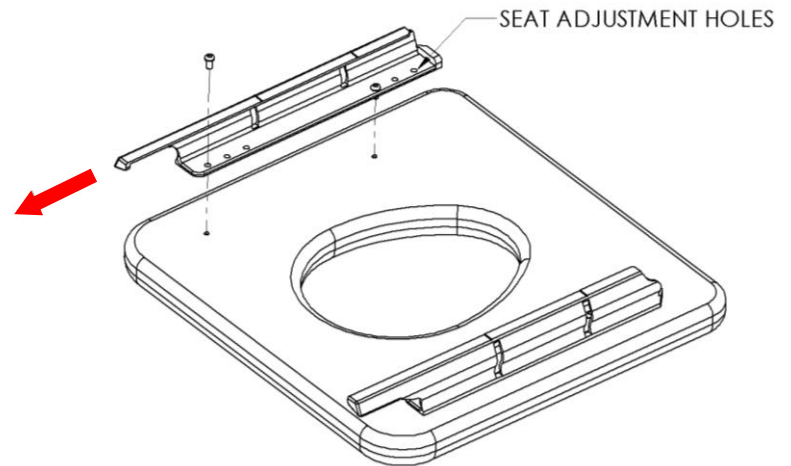
4. Seat height adjustment

Preferably use two people to do this operation, one person on each side of the commode. With one hand support the weight of the seat frame whilst with the other hand unscrew the Locking Wheel Anti-clockwise until the seat frame can move up or down. Use the hole position indicator on the vertical adjustment tube to align the hole with the locking wheel. Rotate Locking wheel clockwise to tighten against vertical adjustment tube.

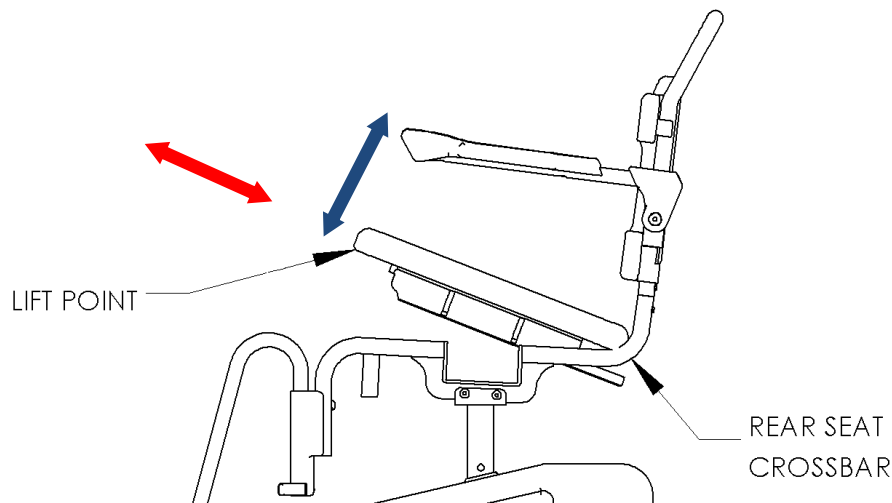


5. Seat depth adjustment

- Use a 3mm Allen key to unscrew the fasteners on the pan runner. There are 2 positions spaced at 25mm, select desired hole and screw fasteners in place.



Note, seat optional

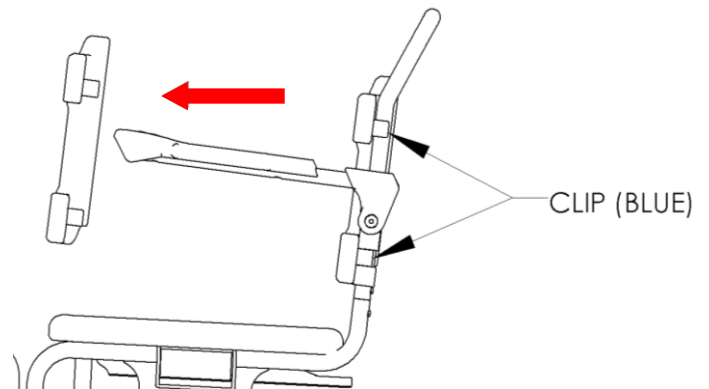


6. Padded seat fitment – clip on/off

- To fit the seat to the commode, slide the cut out in the pan runner under the rear seat crossbar. Lower the seat and push it towards the rear of the commode. Push down firmly at the front of the seat and it will clip into the frame.
- To remove lift the front of the seat at the lift point shown and pull the seat towards the front of the commode until the pan runner clears the rear seat crossbar.

7. Padded backrest removal

- To remove the padded backrest firstly flip up the footplate and stand in front of the commode facing the backrest. Grab hold of the backrest by a top corner then pull it towards you until the clip is off the frame, repeat process on the bottom corner then do the other side.

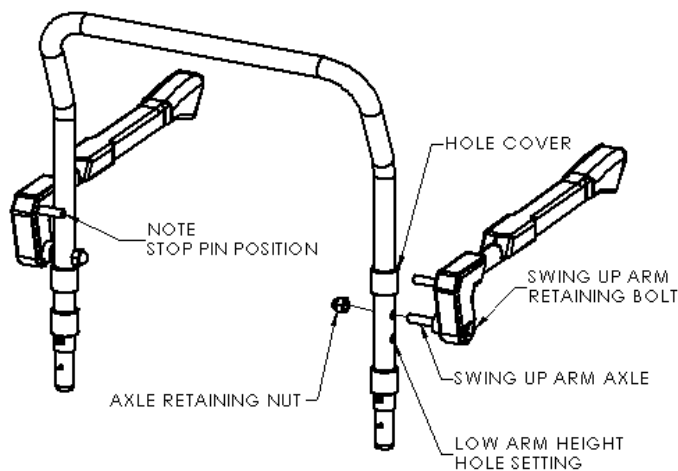


8. Armrest height adjustment

The armrest comes set from the factory in the high position. It can be set to the low position by following the instructions below.

Tools required; 17mm ring spanner & 5mm Allen key.

- Use the Allen key to hold the swing up arm retaining screw from rotating whilst undoing the screw retaining nut with the 17mm ring spanner.
- Slide the armrest outwards and put aside.
- Slide the top hole cover up past the holes in the frame as shown in the illustration.
- Place the armrest assembly over the lower hole and slide the screw through hole, place the saddle washer and nut onto the screw and tighten with spanner whilst holding the retaining screw with the Allen key.
- **Note**, make sure the stop pin is behind the frame when fitting the armrest assembly to the frame.
- Slide the hole cover down over the top hole in the frame.



6 Welsh Place Landsdale WA 6065 Tel: (08) 9302 4757 Fax: (08) 9302

4524 Website: www.4healthcare.com.au Email:

customerservice@4healthcare.com.au

Page 8 of 10

4. SAFETY PRECAUTIONS

The Maximum Occupant Weight for the shower commode is 180kg.

Only use the commode indoors and on flat even surfaces.

DO NOT use in swimming pools, intended for shower use only.

Ensure all brakes are engaged when transferring the client in and out of the commode.

Heavy uneven weight distribution may cause stress to the frame and may eventually result in damage to the shower commode.

The weight capacity of the shower commode may be reduced if the user applies their weight unevenly, forcefully or positions the chair unevenly.

5. CARE & MAINTENANCE INSTRUCTIONS

Important

Do not use abrasive cleaning agents. Non-phenolic disinfectants are recommended in a diluted solution.

Spray the frame and components with the solution then wash with a sponge, rinse and dry thoroughly with a clean cloth.

Maintenance

It is recommended to the user that a qualified 4Healthcare dealer check over all fasteners and sub-assemblies on a regular basis or if there is cause for concern to the shower commodes performance.

6. OPTIONS

Pan carrier

Pan

Lock down armrests

Side opening seat

Front opening seat

9. WARRANTY

The shower commode comes with a 24-month warranty.

If there are any problems with the commode please contact 4Healthcare on;

PH: 08 9302 4757

Email: enquiries@4healthcare.com.au

Or contact your local dealer

10. SPARE PARTS

ITEM NO.	PART NUMBER	DESCRIPTION	QTY.
1	4S412BRF	BACKREST FRAME	1
2	4S412SUAL	SWING UP ARM L/H	1
3	CB125SC	CASTOR BRAKING S/C	4
4	412AHLW	ADJUSTABLE HEIGHT LOCKING WHEEL	2
5	4H413WBF	WEIGHT BEARING FOOTPLATE	1
6	4S412PSCF	CLOSED FRONT PADDED SEAT	1
7	4S412PA	PADDED ARMREST	2
8	4S412SUAR	SWING UP ARMREST R/H	1
9	4S412PB	PADDED BACK	1

