

Mobile Intravenous Stands

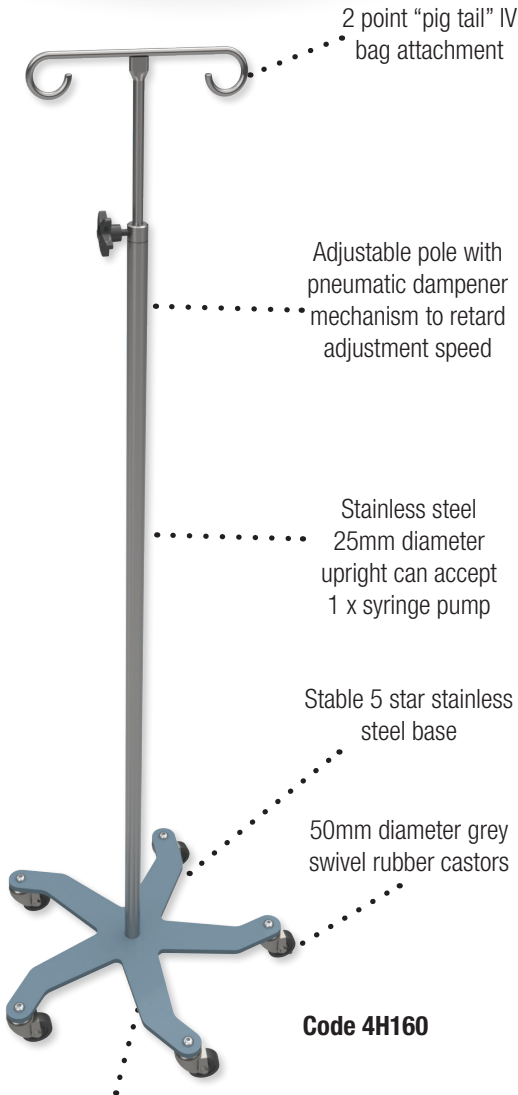


4Healthcare



4Healthcare

Mobile Intravenous Stands



2 point "pig tail" IV bag attachment

Adjustable pole with pneumatic dampener mechanism to retard adjustment speed

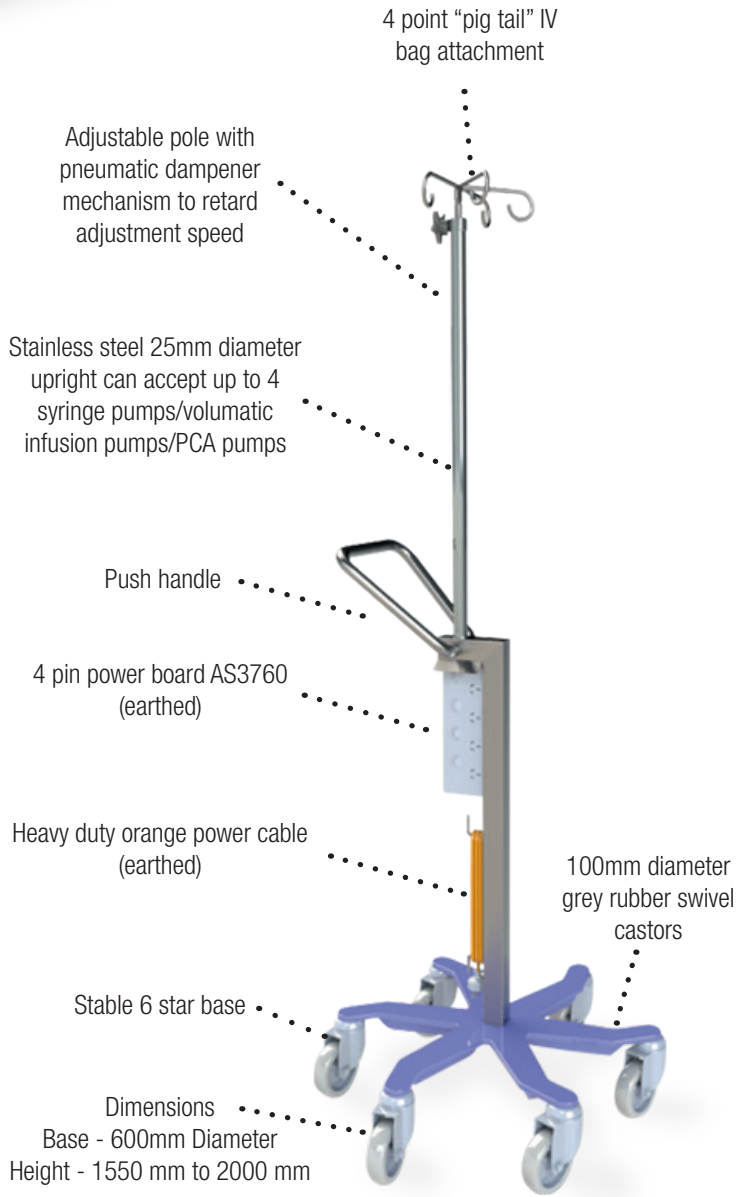
Stainless steel 25mm diameter upright can accept 1 x syringe pump

Stable 5 star stainless steel base

50mm diameter grey swivel rubber castors

Code 4H160

Dimensions
Base - 500mm Diameter
Height - 1350 mm to 2250 mm



4 point "pig tail" IV bag attachment

Adjustable pole with pneumatic dampener mechanism to retard adjustment speed

Stainless steel 25mm diameter upright can accept up to 4 syringe pumps/volumatic infusion pumps/PCA pumps

Push handle

4 pin power board AS3760 (earthed)

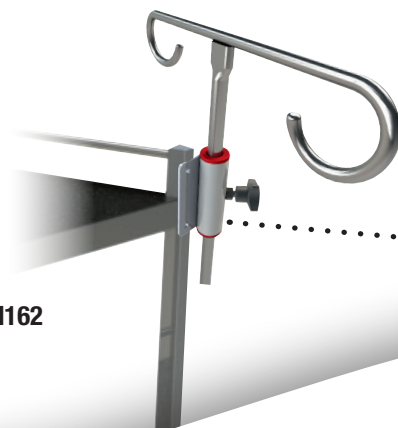
Heavy duty orange power cable (earthed)

100mm diameter grey rubber swivel castors

Stable 6 star base

Dimensions
Base - 600mm Diameter
Height - 1550 mm to 2000 mm

Code 4H161



Code 4H162

Universal bracket IV pole can attach to medication carts & instrument trolleys. 850mm long. Includes 4 x rivets for attachments



6 Welsh Place Landsdale WA 6065
Phone: (08) 9302 4757 **Fax:** (08) 9302 4524
Website: www.4healthcare.com.au
Email: sales@4healthcare.com.au

*Due to 4Healthcare's commitment to continuous improvement, our products are subject to change without notice.