



**V. Guldmann A/S**  
Graham Bells Vej 21-23A  
DK-8200 Aarhus N  
Tel. +45 8741 3100  
Fax +45 8741 3131  
info@guldmann.com  
www.guldmann.com

## GH1 Q Lifting module Technical specifications

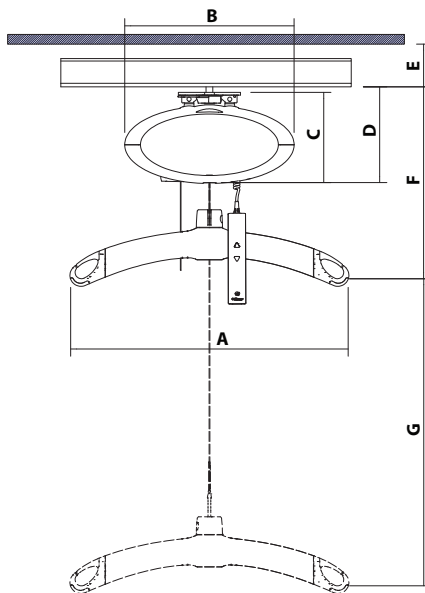
### Weight and materials

SWL	: 175 kg, 205 kg, 255 kg
Own weight	: 8.0 kg

Covers : Impact-resistant UL 94 V-0 flame retardant recyclable plastic

### Dimensions

A	: 580 mm
B	: 350 mm
C	: 187 mm
D	: 196 mm
E, min	: 59 mm
F, min	: 427 mm
G	: 2500 mm
Depth of hoist	: 194 mm



### Functions

Operation	: Hand control
Sound level	: 52 dB (A)

### Safety

Emergency stop	: Yes
Emergency lowering device	: Yes, electrical
Control of lifting strap	: Yes
Cut-off angle	: 45° along the rail 10° across the rail

### Electronics

On/off	: Automatic when used. Soft start/stop. Overload protection.
--------	---

SWL	: 175 kg, 205 kg, 255 kg
Battery	: 1 x 24 V NiMH, 2.0 Ah
Max charging time	: 3 hours

Battery protection : At battery voltage below 22 V the indicator light turns yellow. The hoist stops if the voltage falls below 20 V

Power supply : 36 V DC, 30W  
Supply voltage, transformer : 100-240V AC, 47-63 Hz

### Protection classification (IP) according to IEC 60529

Lifting module	: IP 44
Hand control	: IP 44
Charging station	: IP 20
Transformer	: IP 20

### Labelling

The product is manufactured in compliance with the Council Directive 93/42/EEC of June 14th 1993, including amendments, as medical device class 1.

### Classification

Pursuant to ISO 9999

### Patents

: PA 2008 00888
: PA 2008 00894
: PA 2008 00895

Time to care

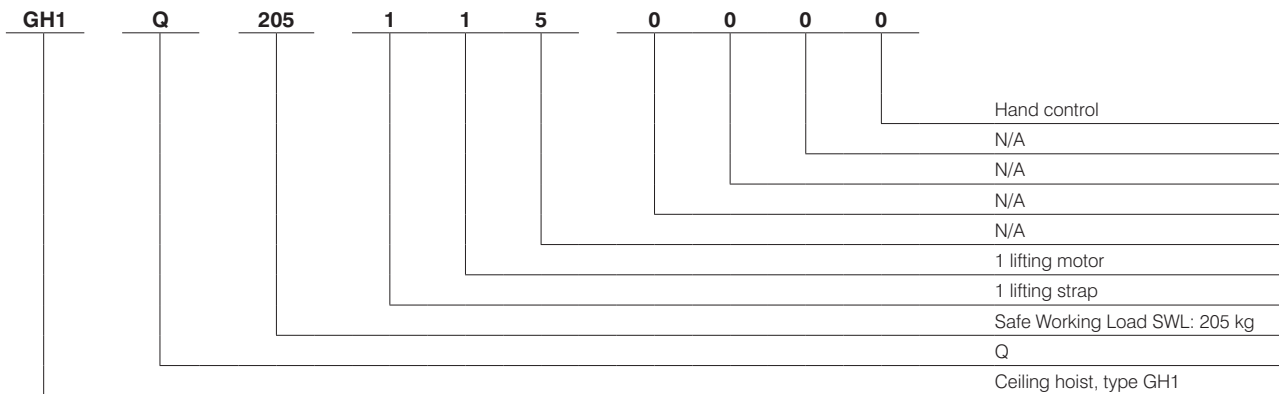


**GH1 Q Lifting module**  
**Technical specifications**

GH1 Q Lifting modules, configurations									
Guldmann hoist type	Product line	Load in kg	Number of lifting straps	Number of lifting motors	Additional functions	Scale module	CLM module	Service module	User interface
<b>GH1</b>	<b>(x)</b>	<b>xxx</b>	<b>x</b>	<b>x</b>	<b>x</b>	<b>x</b>	<b>x</b>	<b>x</b>	<b>x</b>
GH1	Q	175	1	1	5				0
		205	1	1	5				
		255	1	1	5				

**Example: GH1 Q 205 115 0000**

<b>GH1</b>	<b>Q</b>	<b>205</b>	<b>1</b>	<b>1</b>	<b>5</b>	<b>0</b>	<b>0</b>	<b>0</b>	<b>0</b>
------------	----------	------------	----------	----------	----------	----------	----------	----------	----------



**Lifting speed**

85 kg load : 40 mm/sec.  
 150 kg load : 40 mm/sec.  
 Max capacity load, SWL : 40 mm/sec.  
 Max. 5 kg load : 40/80 mm/sec.

**Number of lift and Intermittent**

Max. number of lifts  
 in series : 55 with 85 kg/1000 mm  
 Charging time : 3 hours  
 Intermittent : 20/80, 4 hours

Max. number of lifts  
 in series : 39 with 175 kg/1000 mm  
 32 with 205 kg/1000 mm  
 21 with 255 kg/1000 mm  
 Charging time : 3 hours  
 Intermittent : 10/90, 4 hours