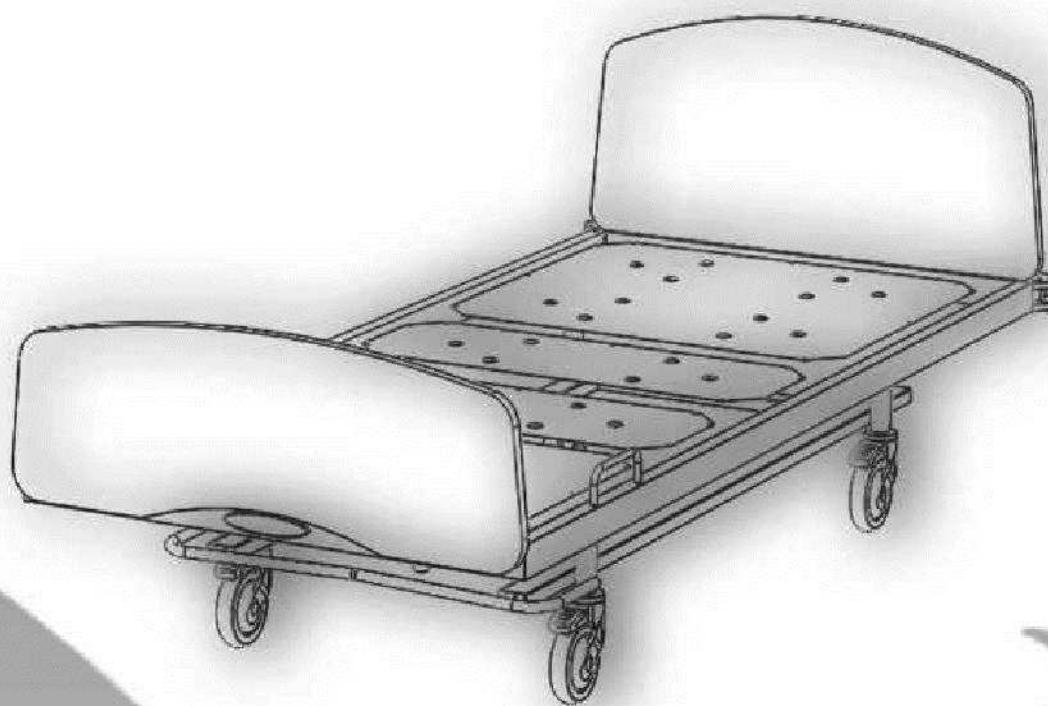




4Healthcare

4 Section Bed

user manual





CONTENTS

Introduction.....	2
Safety.....	2
Installation.....	3
Operation Instructions.....	4
Swipe Operation.....	5
Central Locking.....	6
Technical Parameters.....	7
Environmental Protection.....	8
Cleaning Instructions.....	8
Warranty	9
Maintenance	9
Kalcare.....	10
Extended Warranty.....	11
Service Log	12



Introduction

Thank you for choosing one of 4 Healthcare's electrically operated beds.

This bed has been engineered from fine quality materials to withstand the robust requirements of the healthcare industry.

Your bed will give you years of trouble free service if used and maintained correctly. Additional Extended warranty can be taken free of charge by utilising Kalcare as your service provider. (Please see Extended Warranty terms and conditions).

Before using your new bed, please take the time to read this user manual to familiarise yourself with the functions and operation of the bed.

Safety Precautions

This bed has been designed for a maximum safe working load 200kg. Do not overload under any circumstance.

When lowering the bed, the operator should ensure that there are no obstructions. Ensure that the when not in use or when moving the bed that the electrical power cable has been disconnected from the wall.

Ensure that the power cables and operation handset cannot become entangled with moving parts of the bed.

When not in use, place the bed in it's lowest position.

Ensure that the castors are locked when operating the bed.

The bed should always have the correct mattress fitted when in use.

Before operating the bed, ensure that the patient is positioned correctly.

If the bed is fitted with side rails, ensure that they are secure and positioned correctly.

Installation

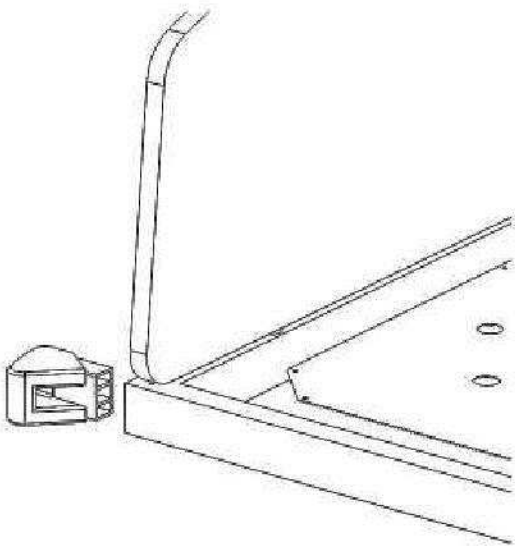
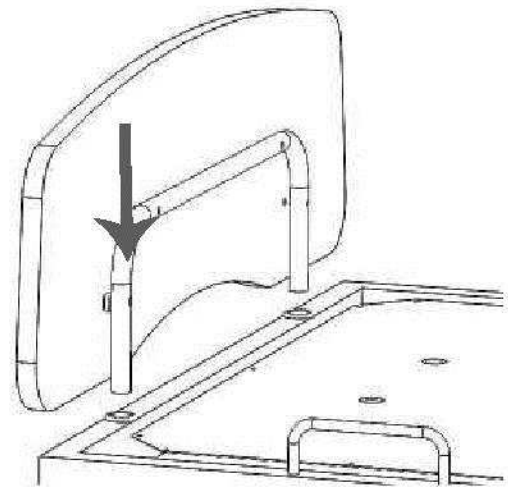
1 : Check that the delivery is complete and according to the delivery documentation.

2: Remove the packaging from the bed and dispose of the material in an environmentally friendly manner.

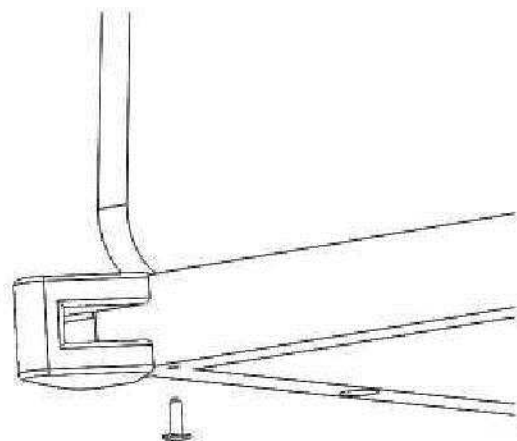


3: Carefully read this user manual and fill out Bed specifications on Back page

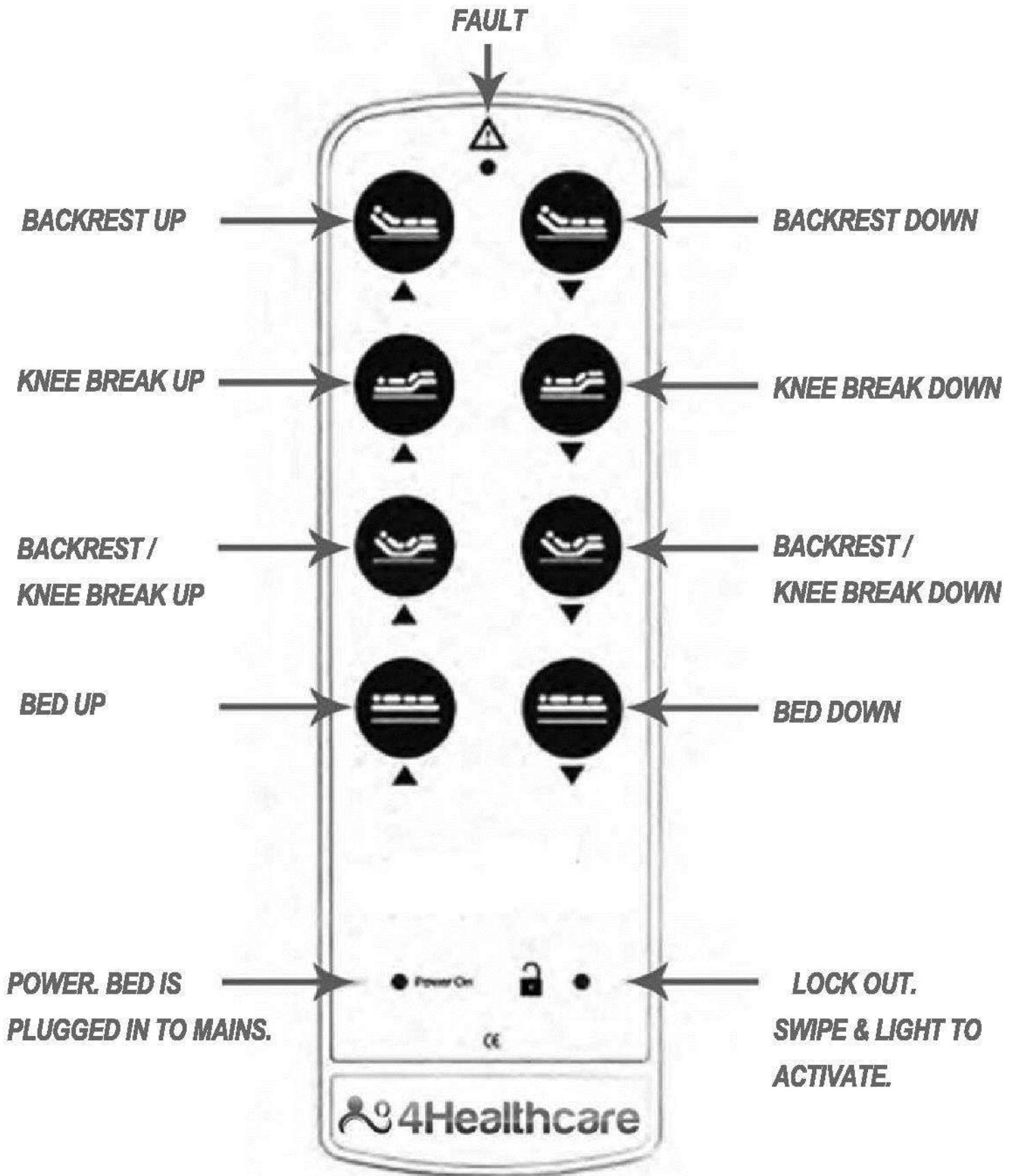
4: Insert Foot & Head Boards into plastic sockets as shown.



5: Insert head end wall buffers into frame & retain by inserting christmas tree clip into tube from underside as shown.



Operation Instructions



Swipe Operation

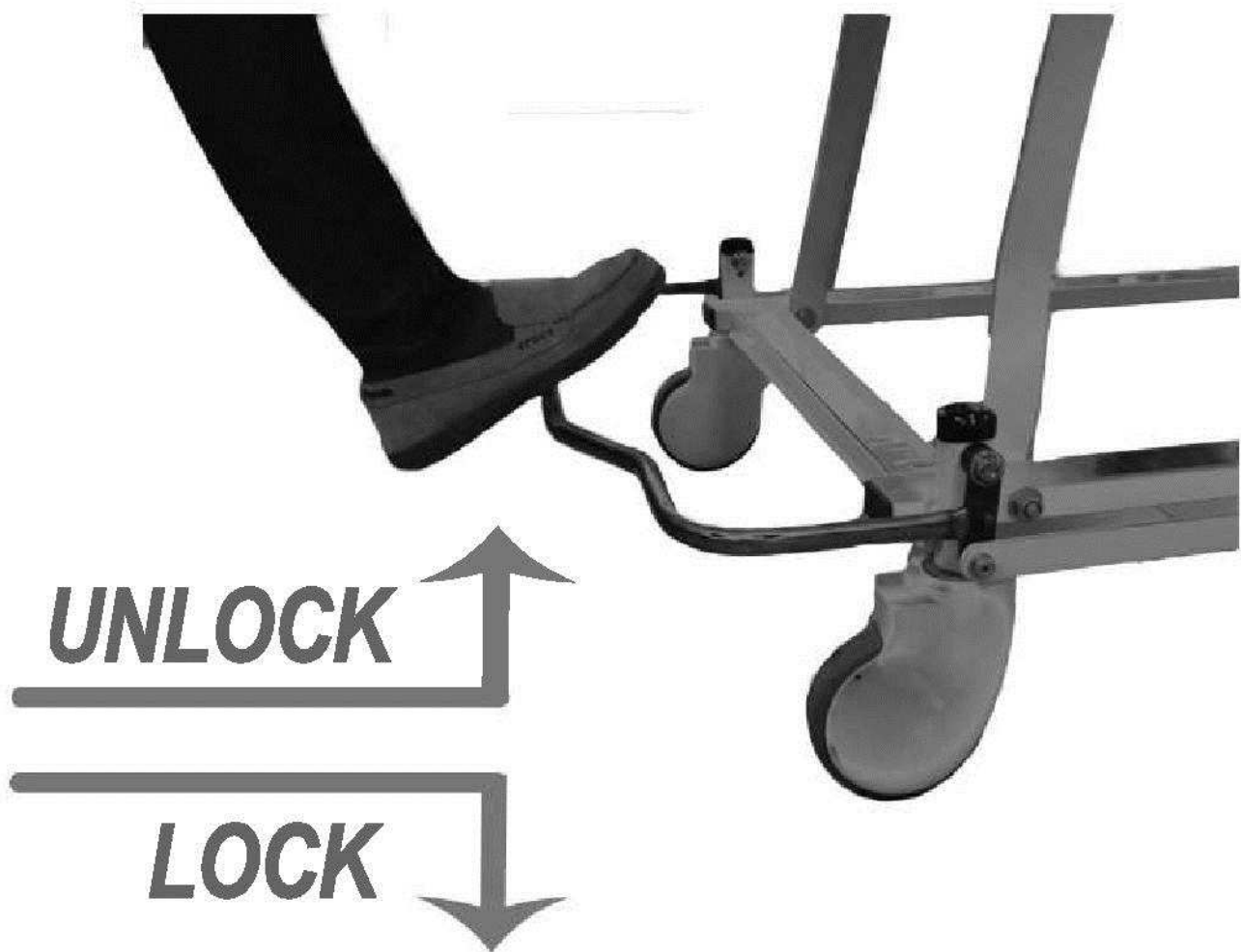
This bed has been equipped with a lockout system allowing the carer to lock or disable the bed from operation by unauthorized personnel or patients.

To UNLOCK the handset for bed operation, swipe the black key attached to the handset across the padlock symbol as shown. The light will glow when the handset / bed can be operated.

To UNLOCK the handset just reverse the above procedure.



Central Locking



This bed is equipped with a central locking braking system. The foot pedal to engage and disengage the system is located at the foot end of the bed at the base. The central locking system has been designed for easy operation and handling of the bed by one person.

To engage the braking system, simply depress the foot pedal down and to disengage lift the pedal upwards to a horizontal position as shown in the pictograph above.



Technical Parameters

Dimensions

* Overall Length :	2065mm
* Width:	920mm
* Low / High:	250-700mm
* Patient Capacity	200kg
* Backrest - Max. tilt angle	0 - 70 deg.
* Calf Rest - Max. tilt angle	0 - 13 deg.
* Thigh - Max. tilt angle	0 - 38 deg.
* Product weight (approx)	96kg
* Electrical	230V +/- 10%, 50-60 Hz
- Electrical protection	Class 2
* Construction	Mild Steel Framework
* Finish	Epoxy Powder coated
* Actuators	24V

This bed may be used in an indoor environment where the:

*Range of surrounding temperature is from +10 deg. C to + 40 deg. C

*Range of relative humidity is from 30% to 75%

*Range of atmospheric pressure is from 700hPa to 1060 hPa

Cleaning Instructions



**Warning ! Disconnect the bed from the mains power supply prior to cleaning.
There is a risk of finger entrapment which may cause physical injury!**

Cleaning of the bed can be done with a low strength mild detergent, warm water & soft textured cloth. This includes the powder-coated framework, head & foot boards and side-rails if fitted.

DO NOT use acids, alkaline, or any other chemical solvents.

DO NOT use agents which could alter the structure and behaviour of the powder coat or any plastics. eg. petrol, toluene, acetone, etc.

Environmental Protection

4Healthcare Pty. Ltd is aware of the necessity to protect the environment for future generations and therefore devotes attention to the planning and use of materials that are environmentally friendly.

This product is constructed from materials that are environmentally friendly. The product does not contain dangerous substances based on cadmium, mercury, asbestos, PCB or CFC.

Any wooden products used are not made from exotic woods such as jarrah, jacaranda, teak etc. and do not come from Amazonian or any other old growth virgin forests.





Warranty

The bed is provided with a Guarantee commencing from the date of delivery unless agreed by a service contract wise. The guarantee and post guarantee repairs are carried out by the manufacturer, or authorized based on a written certificate of competency to perform these activities. The bed and its relative components are covered for the periods as listed below.

10 years framework

2 years electrical

2 years hydraulic

2 years mechanical

2 years castors

Maintenance

Only personnel who have received the necessary instruction or training may perform the service and maintenance on 4 Healthcares 4 section bed.

Motors, control boxes and handsets are not serviceable and must be replaced.

Servicing of the equipment is required at 12 month intervals at minimum. Please refer to Kalcare in the following pages for a range of service solutions.



Ensure that the top frame is supported during service inspections to prevent accidental lowering. Ensure that bed is disconnected from mains power prior to commencing any repair or maintenance work.



kalcare

SERVICE + REPAIRS + DESIGN

Since its inception in 2007, Kalcare has become Western Australia's largest independent provider of the delivery of vital services to various healthcare sectors including hospitals, aged care facilities, community care homes and allied health facilities.

The cornerstone of Kalcare's business is the provision of preventative maintenance servicing, repairs and compliance of patient care equipment including but not limited to electric and manual beds, wheelchairs, patient lifters, air mattresses, tub chairs and showering equipment.

During a safety and maintenance visit, all the equipment is inspected, asset registered and serviced as part of a programmed maintenance schedule which is in accordance with guidelines of relevant Australian standards.

Kalcare strongly recommends that the servicing on all equipment be conducted biannually. This preventative maintenance schedule is set up to maintain standards and to identify faults early and maximize the efficiency of the equipment. The 6 monthly services are also used in conjunction with any replacement parts required that were identified on the previous service reducing the volume of call outs required but more importantly potential down time of equipment.



**ASSET REGISTERED STICKER
APPLIED TO EACH PRODUCT
AND UPDATED IN OUR SYSTEM
DURING EACH SERVICE**



1300 525 520





Simply fill out your details below or call KALCARE , let us maintain your equipment and receive 2 years extended warranty on your equipment FREE!!



DATE PURCHASED: _____

MODEL: _____

SERIAL NUMBER: _____

DISTRIBUTOR: _____

YOUR NAME: _____

FACILITY : _____

PH: _____

EXTENDED WARRANTY



 **Service Log**

PROCEDURE & DESCRIPTION	DATE	SERVICE TECH	COMPANY



 **4Healthcare**
Free Call 1300 525 520